



# THOMPSON MEAT MACHINERY

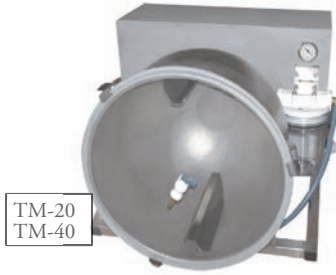
*TM Series - Tumblers & Massagers*



**“THOMPSON TOUGH”**

**LEADING AUSTRALIAN MANUFACTURERS OF MEAT PROCESSING MACHINERY**

# THOMPSON TM SERIES - TUMBLERS & MASSAGERS



TM-20  
TM-40



TM-150  
TM-300  
TM-500



TM-1000  
TM-1500  
TM-2000  
TM-3000  
TM-4000  
TM-5000

MODELS (Fig. A)	TM-20	TM-40
Tumbler Capacity	8kg	16kg
Vacuum Pump Capacity	2.4m <sup>3</sup> /h (dry pump)	2.4m <sup>3</sup> /h (dry pump)
Voltage	220V/1ph/50Hz/2.1amp	220V/1ph/50Hz/2.1amp
Machine Size WxLxH	570x465x610mm <sup>3</sup>	570x525x680mm <sup>3</sup>
Machine Weight	30kg	35kg

## THOMPSON TUMBLERS / MASSAGERS:

Thompson Vacuum Tumblers are constructed with heavy duty stainless steel, BUSCH vacuum pumps with liquid trap, variable speed, continuous vacuum and reverse discharge function. Great for marinated product, improved quality, increased productivity and higher profit margins.

MODELS (Fig. B)	TM-150	TM-300	TM-500
Tumbler Capacity	60kg	120kg	200kg
Vacuum Pump Capacity	6m <sup>3</sup> /h(1/2hp/0.6kW) 21m <sup>3</sup> /h(1 1/4hp/1kW)*	21m <sup>3</sup> /h (1 1/4 hp/1kW)	21m <sup>3</sup> /h (1 1/4 hp/1kW) 40m <sup>3</sup> /h (2hp/1.5kW)
Voltage	220V/1ph/50Hz/4.6amp(6m <sup>3</sup> /h), 7.5amp(21m <sup>3</sup> /h) 400V/3ph/50Hz/1.5am(6m <sup>3</sup> /h), 2.3amp(21m <sup>3</sup> /h)	220V/1ph/50Hz/7.5amp 400V/3ph/50Hz/2.3amp	220V/1ph/50Hz/7.5amp(21m <sup>3</sup> /h), 11.3amp(40m <sup>3</sup> /h) 400V/3ph/50Hz/2.3amp(21m <sup>3</sup> /h), 3.5amp(40m <sup>3</sup> /h)
Machine Size WxLxH	1280x910x1380mm <sup>3</sup>	1350x910x1460mm <sup>3</sup>	1490x910x1660mm <sup>3</sup>
Dimension AxBxC	750xØ560x815mm <sup>3</sup>	820xØ720x735mm <sup>3</sup>	960xØ860x765mm <sup>3</sup>
Machine Weight	200kg	260kg	480kg

## OPTIONS INCLUDE:

- Single phase motor available up to 100m<sup>3</sup>/h (5hp) pump
- Pump Size, Voltage, Custom sizes are available
- Large massager available – TM-5000 and above
- Buggy (200L, 300L)
- Buggy dumper
- Suction tank

MODELS (Fig. C)	TM-1000	TM-1500	TM-2000	TM-3000	TM-4000
Tumbler Capacity	400kg	600kg	800kg	1200kg	1600kg
Vacuum Pump Capacity	40m <sup>3</sup> /h (2hp/2.5kW) 63m <sup>3</sup> /h (3hp/2.4kW)	63m <sup>3</sup> /h (3hp/2.4kW) 100m <sup>3</sup> /h (5hp/4kW)	100m <sup>3</sup> /h (5hp/4kW)	202m <sup>3</sup> /h (8hp/7.5kW)	202m <sup>3</sup> /h (8hp/7.5kW)
Voltage	400V/3ph/50Hz/3.5amp(40m <sup>3</sup> /h) 400V/3ph/50Hz/6.4amp(63m <sup>3</sup> /h)	400V/3ph/50Hz/6.4amp(63m <sup>3</sup> /h) 400V/3ph/50Hz/10.8amp(100m <sup>3</sup> /h)	400V/3ph/50Hz/10.8amp	400V/3ph/50Hz/18.5amp	400V/3ph/50Hz/18.5amp
Machine Size WxLxH	1116x1926x1708mm <sup>3</sup>	1274x2031x1787mm <sup>3</sup>	1374x2264x1987mm <sup>3</sup>	1568x2473x2084mm <sup>3</sup>	1568x3131x2084mm <sup>3</sup>
Machine Weight	650kg	800kg	1250kg	1600kg	1800kg

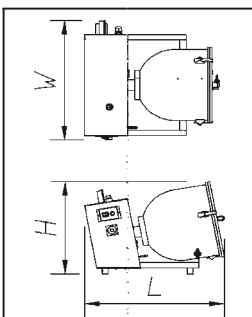


Figure A

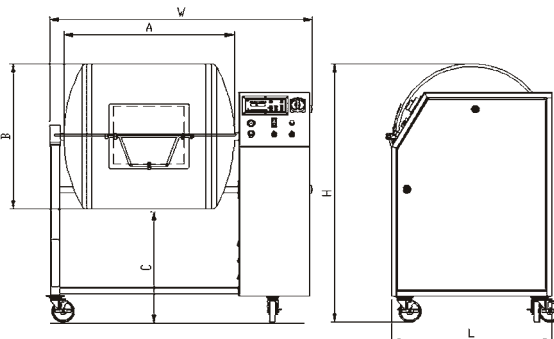


Figure B

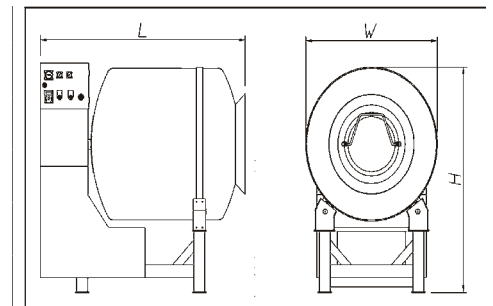


Figure C

*Manufactured in accordance with Australian Standard and Regulations*



**THOMPSON MEAT MACHINERY PTY LTD**

134 MAGNESIUM DRIVE, CRESTMEAD, QLD AUSTRALIA 4132

PHONE +61 7 3803 6643 – FAX +61 7 3803 6635

EMAIL [sales@tmach.com.au](mailto:sales@tmach.com.au) – WEB SITE [www.tmach.com.au](http://www.tmach.com.au)